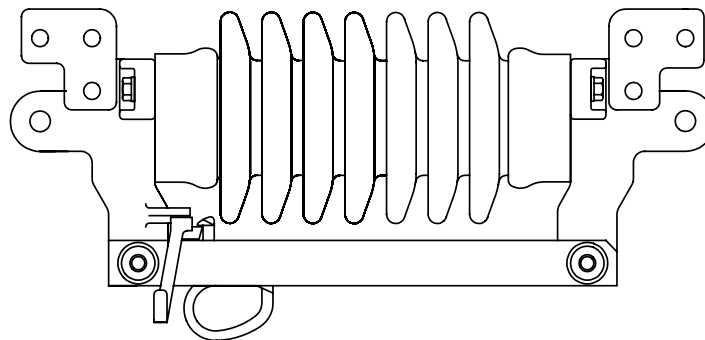
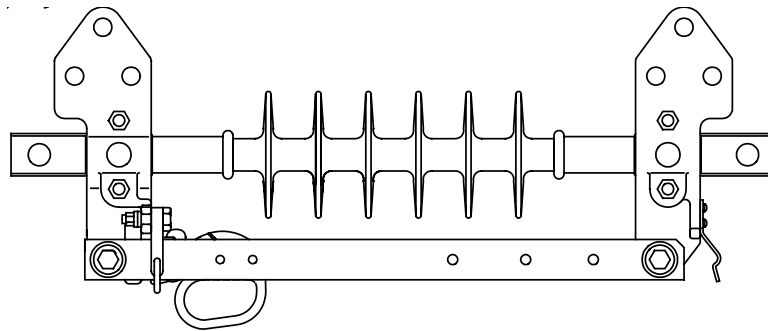


TYPE IL6NP, IL9NP, IL469NP AND BIL INLINE DISCONNECT SWITCHES

Bulletin No. 36-0109

OUTDOOR HOOK-STICK OPERATED (DISTRIBUTION CLASS)

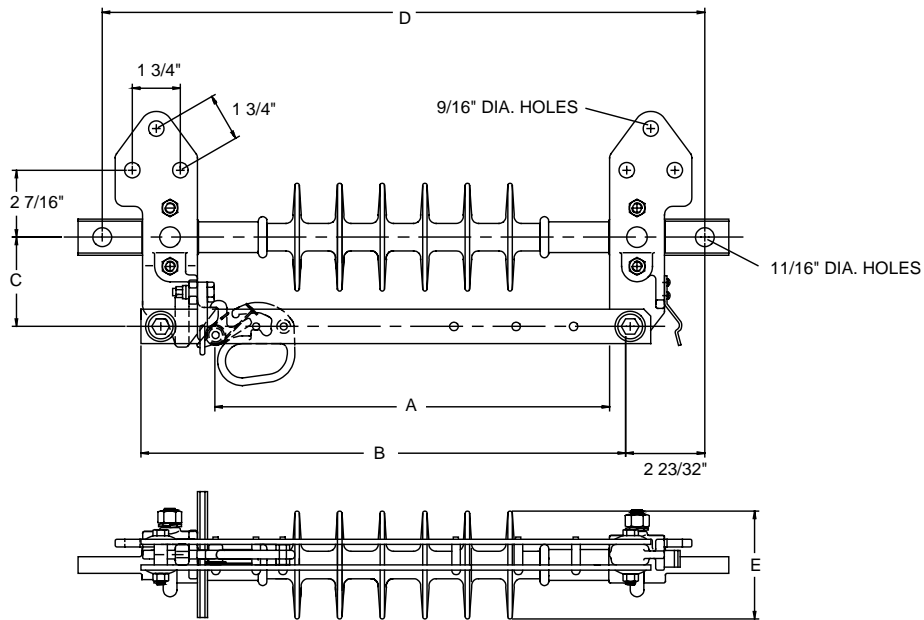


- FOR SECTIONALIZING AND TAP APPLICATIONS
- FURNISHED WITH HOOKS FOR LOADBREAK TOOL (THROUGH 34.5kV)
- USED ON ARMLESS OR CROSSARM CONSTRUCTION

ROYAL SWITCHGEAR MANUFACTURING COMPANY

TYPE IL6NP & IL9NP DISCONNECT SWITCH (POLYMER INSULATOR)

- Light weight - 10 pounds
- Separate tension system and current path
- One piece silicone polymer insulator skirts
Vandal/breakage resistant
Molecular structure resists ultra-violet degradation
- Blade of ETP, hard-drawn copper busbar
- Silver contact surfaces
- Construction of blades provides lateral stability when closing
- Furnished with hooks for operation with portable load break tools



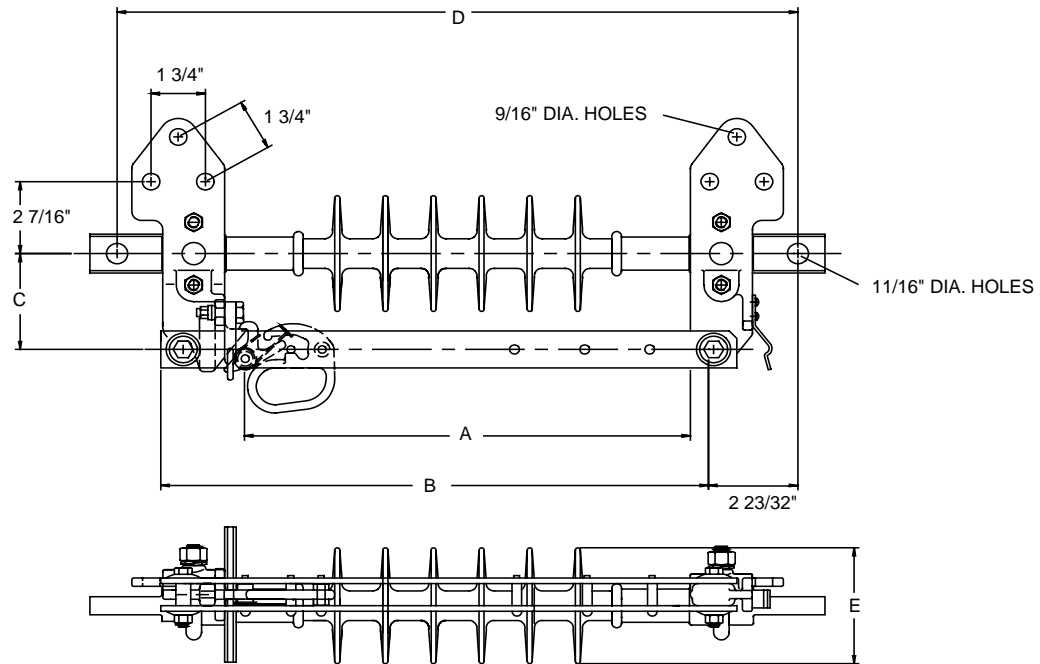
SPECIFICATIONS

Nominal operating voltage	15/25 kV	1 min. 60 Hz dry withstand across open switch	100 kV
Momentary current rating	40,000 Amp	Design tension strength	22,000 lbs.
3 second current rating	25,000 Amp	Recommended max. static tension loading	7,500 lbs.
1.2 x 50µS impulse withstand across open switch	200 kV	Min. metal to metal	11 inches

CATALOG NO.	kV	AMPS	A	B	C	D	E
IL6NP	15/25	600	14 3/8"	17 7/8"	3 1/4"	22"	3 3/4"
IL9NP	15/25	900	14 3/8"	17 7/8"	3 1/4"	22"	3 3/4"

TYPE IL469NP DISCONNECT SWITCH (POLYMER INSULATOR)

- Light weight - 13 pounds
- Separate tension system and current path
- One piece silicone polymer insulator skirts
Vandal/breakage resistant
Molecular structure resists ultra-violet degradation
- Blade of ETP, hard-drawn copper busbar
- Silver contact surfaces
- Construction of blades provides lateral stability when closing
- Furnished with hooks for operation with portable load break tools



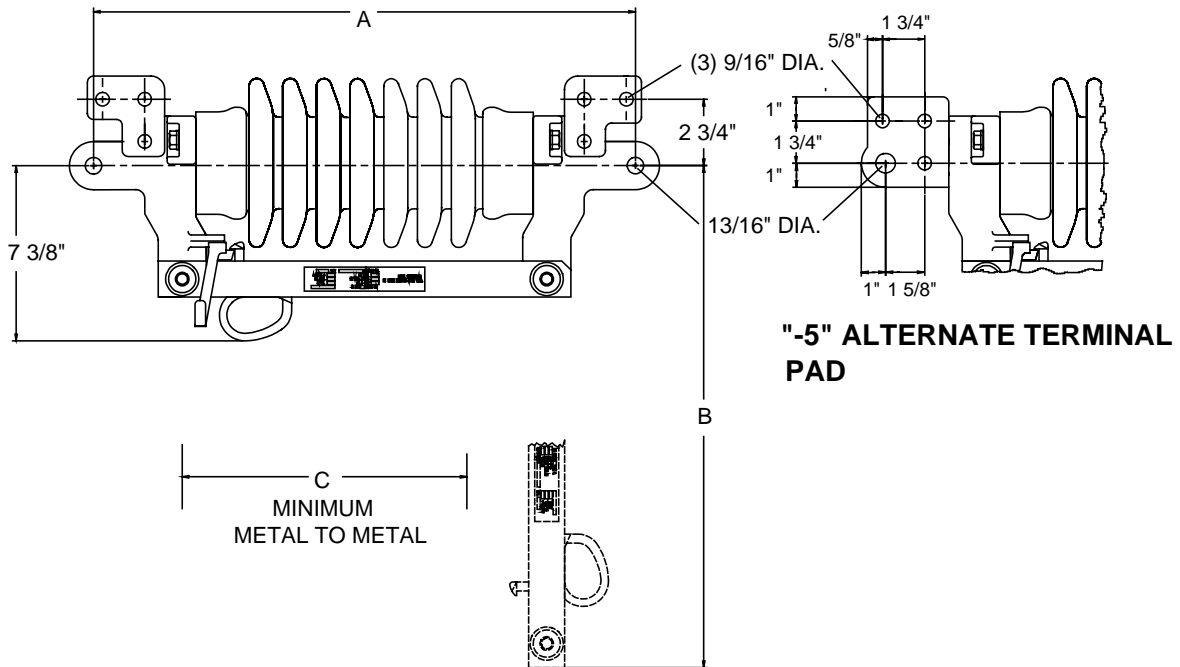
SPECIFICATIONS

Nominal operating voltage	34.5/46 kV	1 min. 60 Hz dry withstand across open switch	100 kV
Momentary current rating	40,000 Amp	Design tension strength	15,000 lbs.
3 second current rating	25,000 Amp	Recommended max. static tension loading	7,500 lbs.
1.2 x 50μS impulse withstand across open switch	250 kV	Min. metal to metal	15.4 inches

CATALOG NO.	kV	AMPS	A	B	C	D	E
IL469NP	34.5/46	900	19 7/8"	22 15/16"	3 1/4"	27 1/2"	3 15/16"

TYPE BIL DISCONNECT SWITCH

- High strength solid core insulators
- Mounted in-line or at crossarm
- Truss-type blade design for strength
- Tongue contact provides double contact surface
- All contact surfaces silver plated
- All parts are hard-drawn copper, cast copper, or high-conductivity bronze
- Operable with portable loadbreak tool
- Available with GSA arc arrester for interrupting magnetizing or line charging currents on de-energized circuits.



CATALOG NO.	CATALOG NO. "-5" PAD	VOLTAGE kV	CURRENT AMPS	BIL kV	DIMENSIONS IN INCHES			WEIGHT LBS.
					A	B	C	
19645	19795	7.5	900	110	19 1/4	17 1/4	7 1/2	36
19647	19797	15	900	150	22 3/4	20 3/4	11	39
19649	19799	25	900	200	26 1/2	24 1/2	14 3/4	44
19651	19801	34.5	900	250	28 3/4	26 3/4	17	52
19653	19803	46	900	350	38 1/2	36 1/4	26 1/2	57

NOTES

1. Switches 7.5 - 34.5kV rated 40,000A momentary, 46kV rated 20,000A momentary.
2. M & E tension rating - 15,000 lbs. Recommended maximum static load - 7,500 lbs.
3. GSA arc arrester supplied as an option when specified.
4. Switch provided with tinned NEMA pads. Type ARB terminal lugs can be furnished when specified.
5. 180° blade stop furnished standard. 90° blade stop can be supplied when specified.

ROYAL SWITCHGEAR MANUFACTURING COMPANY

1-800-426-4380