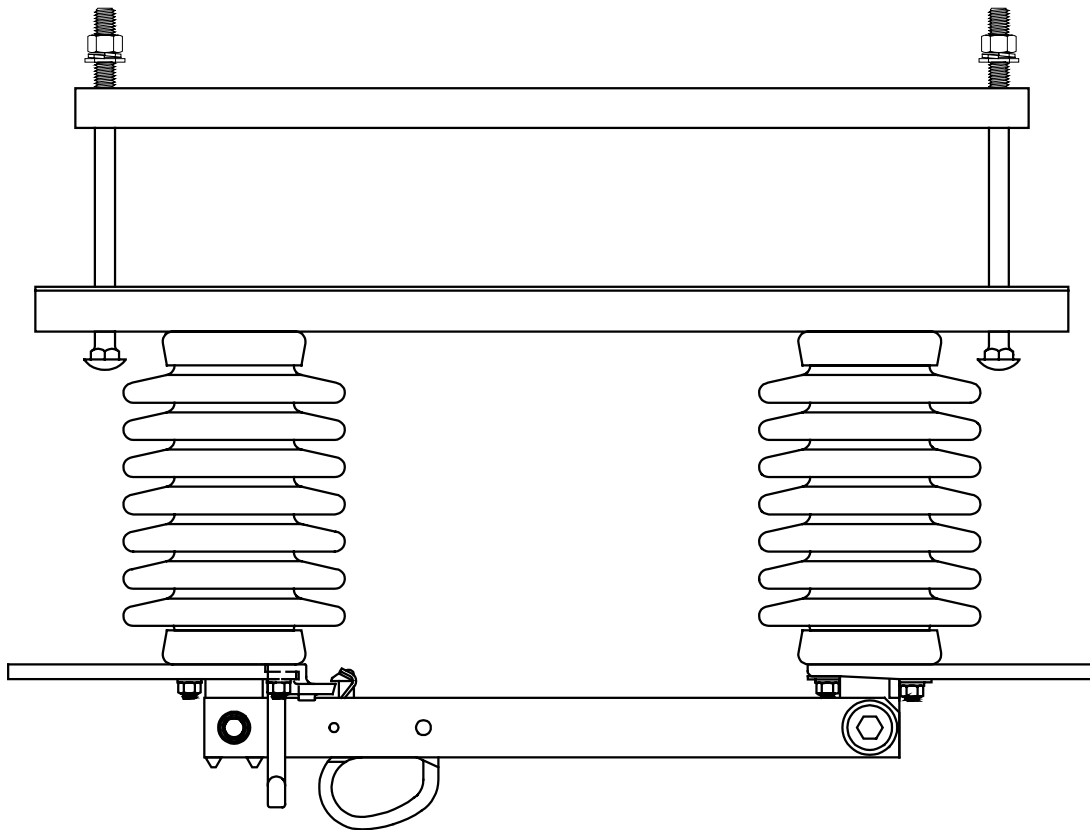


TYPE BLT DISCONNECT SWITCHES

Bulletin No. 37-1005

OUTDOOR-HOOK OPERATED

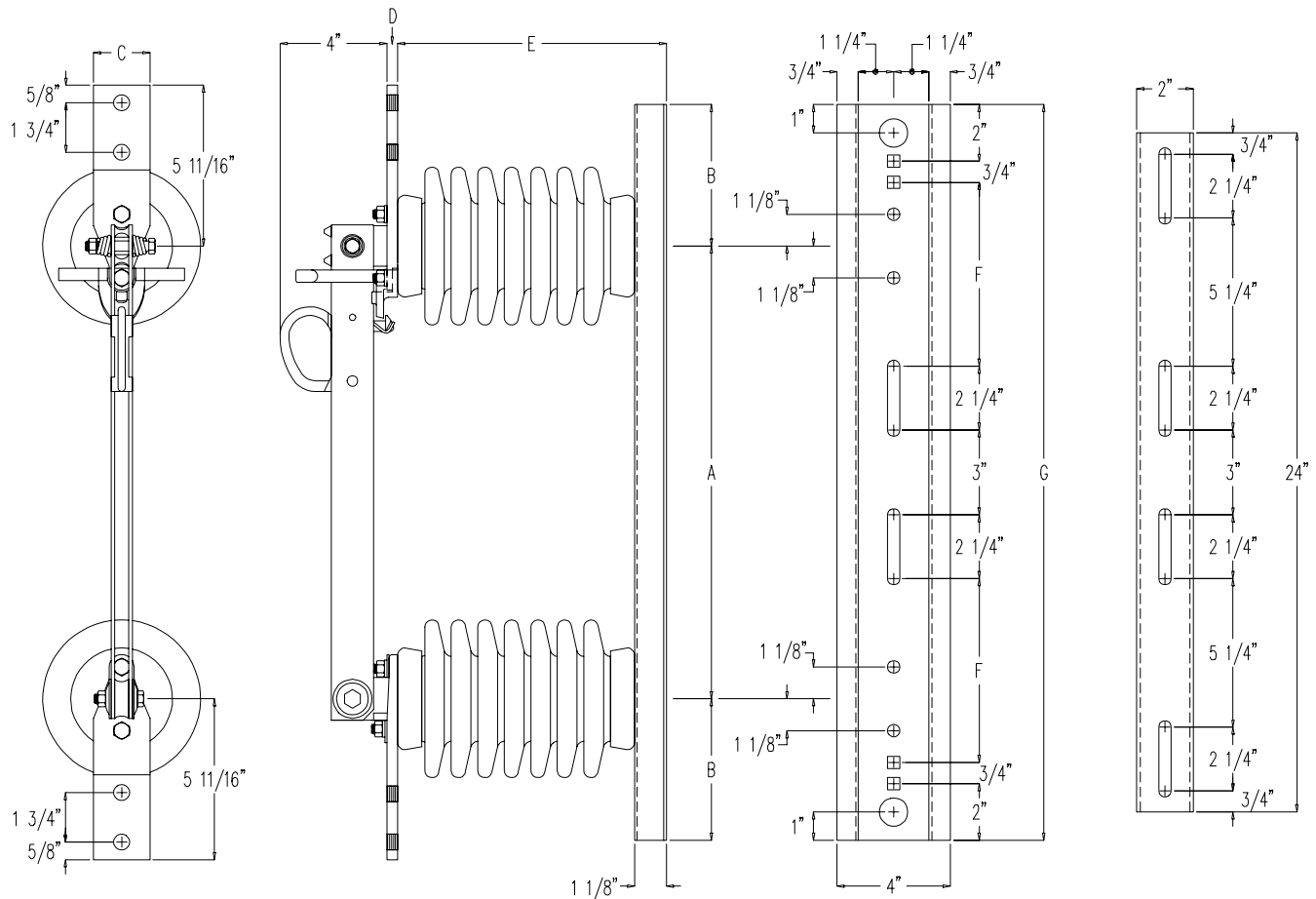


- 7.5kV THROUGH 35kV
- 900 AMPERES -- 40,000 AMPERES
MOMENTARY
- FURNISHED WITH HOOKS FOR LOADBREAK
TOOL
- REA APPROVED

ROYAL SWITCHGEAR MANUFACTURING COMPANY

BLT PARALLEL BLADE DISTRIBUTION CLASS DISCONNECT SWITCH

- Compact design for crossarm or pole top mounting.
- Simple, sure latch mechanism.
- Double-tongue latch contact for extra contact surface.
- Operable with portable loadbreak tool.
- All contacts silver plated.
- All live parts of hard-drawn copper, cast copper, or high-conductivity bronze.
- Captive hardware available at extra charge.



| CATALOG NUMBER | kV | *AMPS | INSULATOR | BIL | A | B | C | D | E | F | G | LBS. |
|----------------|------|-------|-------------|-----|-----|----|----|------|---------|--------|-----|------|
| 19912 | 7.5 | 900 | 2 1/4" B.C. | 95 | 12" | 6" | 2" | 3/8" | 7 7/8" | 5 1/2" | 24" | 33 |
| 19914 | 15 | 900 | 2 1/4" B.C. | 95 | 12" | 6" | 2" | 3/8" | 7 7/8" | 5 1/2" | 24" | 33 |
| 19916 | 15 | 900 | 2 1/4" B.C. | 110 | 14" | 5" | 2" | 3/8" | 9 1/8" | 5 1/2" | 24" | 38 |
| 19918 | 23 | 900 | 2 1/4" B.C. | 125 | 14" | 5" | 2" | 3/8" | 11 1/8" | 5 1/2" | 24" | 44 |
| 19920 | 23 | 900 | 2 1/4" B.C. | 150 | 16" | 5" | 2" | 3/8" | 11 1/8" | 6 1/2" | 26" | 46 |
| 19995 | 34.5 | 900 | 2 1/4" B.C. | 150 | 16" | 5" | 2" | 3/8" | 11 1/8" | 6 1/2" | 26" | 46 |

* Rating per ANSI Standard C37-32 - 2.1.1 - 1990 is 900 amperes.

NOTES: a. Terminal connectors supplied at extra charge.

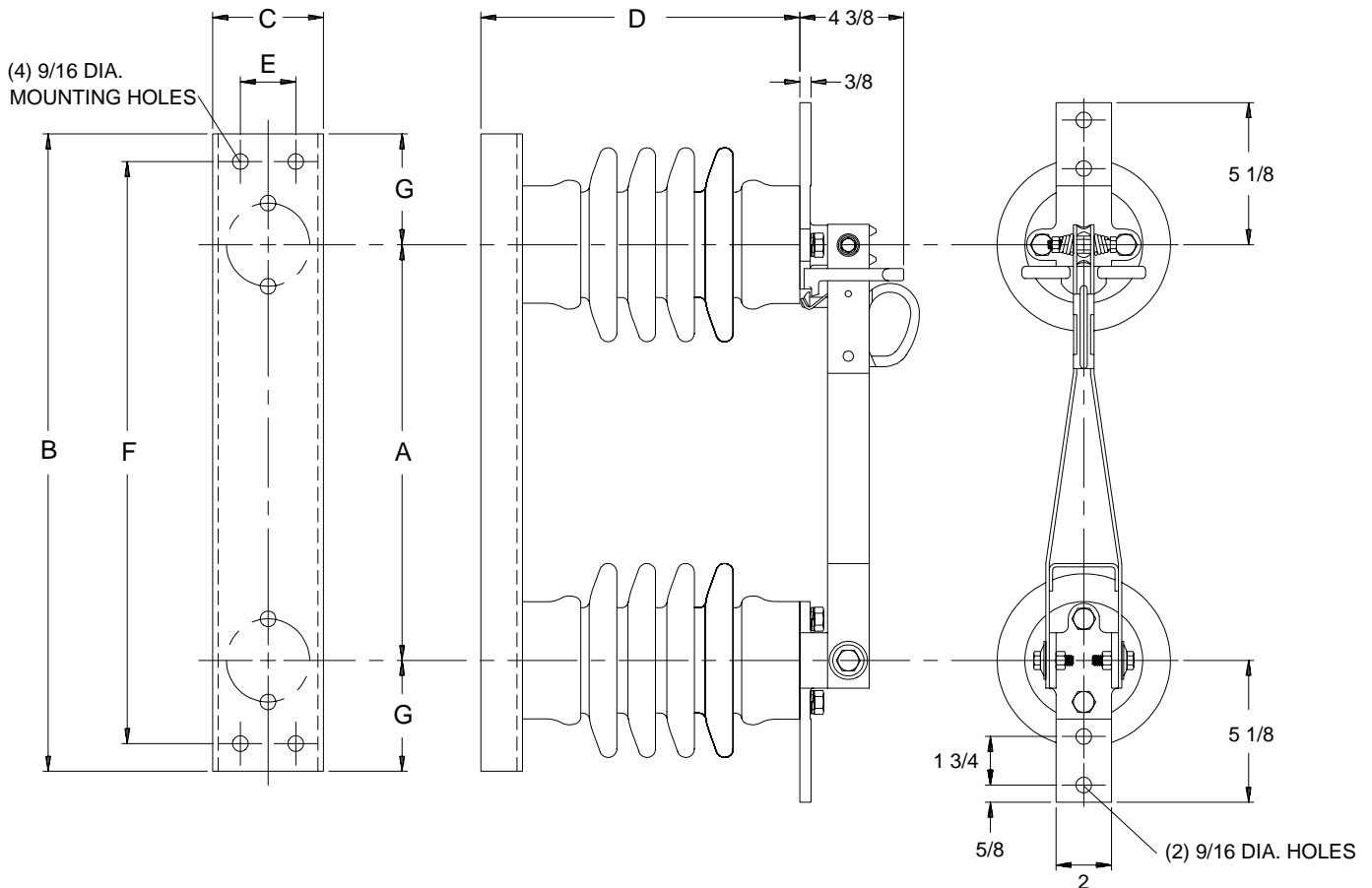
b. Base is suitable for single or double crossarm mounting. Backup channel and mounting bolts will be furnished for single-crossarm mounting unless otherwise specified.

BLT-3 TRUSS BLADE SUBSTATION CLASS DISCONNECT SWITCH

Easy hookstick access to the switch is provided by a large pull ring. The type BLT-3 switch is also furnished with hooks for use with the Loadbuster loadbreak tool.

Custom base available at extra charge.

Contact surfaces are silver plated and all current carrying parts are of hard-drawn copper, cast copper, or high conductivity bronze. The truss type, hard-drawn copper blades straddle the contact tongue providing two contact surfaces.



| CATALOG NUMBER | kV | *AMPS | INSULATOR | BIL | A | B | C | D | E | F | G | LBS. |
|----------------|-----|-------|-----------|-----|-----|-----|----|---------|----|-----|----|------|
| 19966 | 7.5 | 900 | TR-202 | 95 | 12" | 20" | 4" | 9 1/8" | 2" | 18" | 4" | 52 |
| 19968 | 15 | 900 | TR-205 | 110 | 15" | 23" | 4" | 11 5/8" | 2" | 21" | 4" | 60 |
| 19970 | 23 | 900 | TR-208 | 150 | 18" | 26" | 4" | 15 5/8" | 2" | 24" | 4" | 85 |

* Rating per ANSI Standard C37-32 - 2.1.1 - 1990 is 900 amperes.

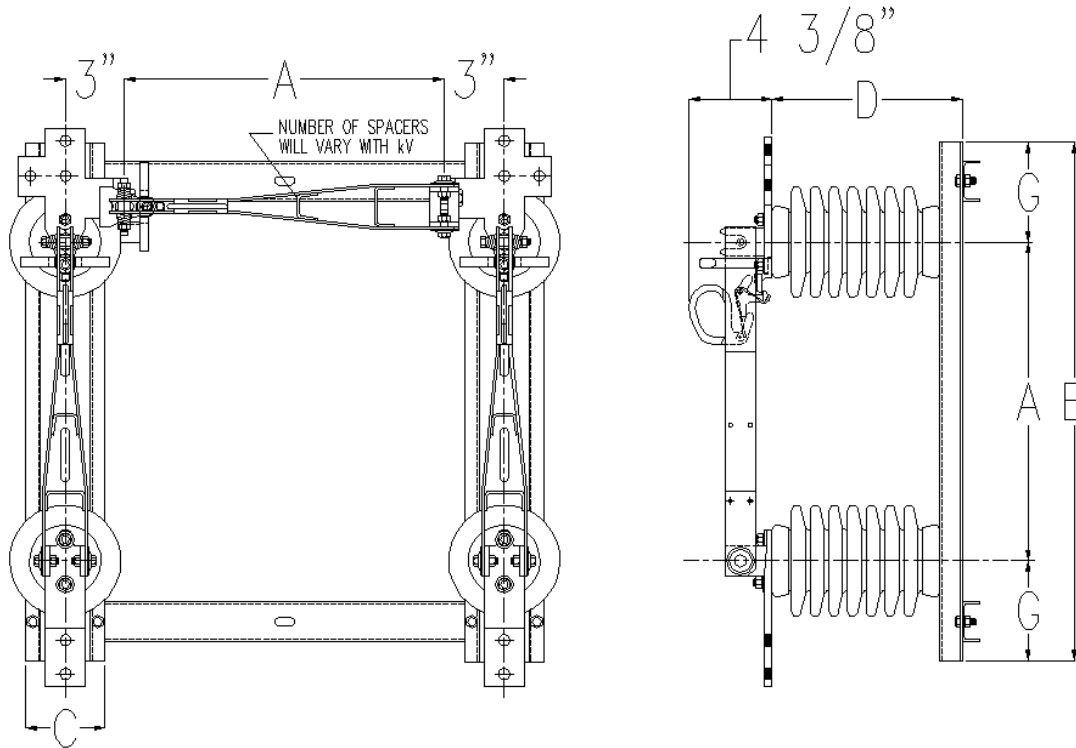
- NOTES:
- a. Terminal connectors supplied at extra charge.
 - b. Channel base is suitable for substation structure mounting.
 - c. Switch is furnished with 3 inch bolt circle ANSI station post insulators.

ROYAL SWITCHGEAR MANUFACTURING COMPANY

1-800-426-4380

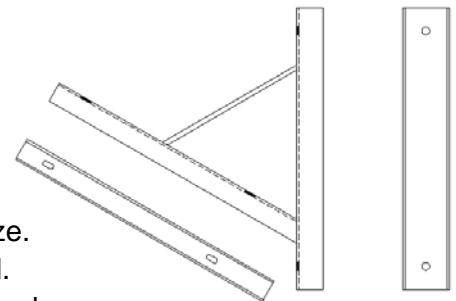
TYPE BP TRUSS BLADE DISTRIBUTION CLASS BY-PASS DISCONNECT SWITCH

The type BP is a cleanly designed three-blade disconnect switch appropriate for several by-pass applications. The live parts are the same as the type BLT switch. The simple design and operation features make it dependable over many years of service.



LEFT HAND OPEN, UNDERHUNG CROSSARM MOUNT

- Simple, sure latch mechanism.
- All contacts silver-plated.
- Double-tongue latch contact for extra contact surface.
- Operable with portable loadbreak tool.
- All live parts of hard-drawn copper, cast copper, or high conductivity bronze.
- Terminals are NEMA Standard two hole drilling can be tinned or un-tinned.
- Base is hot dipped galvanized furnished with two back-up channels and hardware.
- Vertical mounting bracket available when specified.
- Bypass Blade adjustable to 30 ° for vertical mount applications.



Vertical bracket

| CATALOG NUMBER | kV | *AMPS | INSULATOR | BIL | A | B | C | D | G |
|----------------|------|-------|-------------|-----|-----|-----|----|---------|----|
| 20498 | 7.5 | 900 | 2 1/4" B.C. | 95 | 12" | 24" | 4" | 7 7/8" | 6" |
| 20499 | 15 | 900 | 2 1/4" B.C. | 95 | 12" | 24" | 4" | 7 7/8" | 6" |
| 20500 | 15 | 900 | 2 1/4" B.C. | 110 | 14" | 24" | 4" | 9 1/8" | 5" |
| 20501 | 23 | 900 | 2 1/4" B.C. | 125 | 14" | 24" | 4" | 10 1/8" | 5" |
| 20502 | 23 | 900 | 2 1/4" B.C. | 150 | 16" | 26" | 4" | 11 1/8" | 5" |
| 20503 | 34.5 | 900 | 2 1/4" B.C. | 150 | 16" | 26" | 4" | 11 1/8" | 5" |

ROYAL SWITCHGEAR MANUFACTURING COMPANY

1-800-426-4380