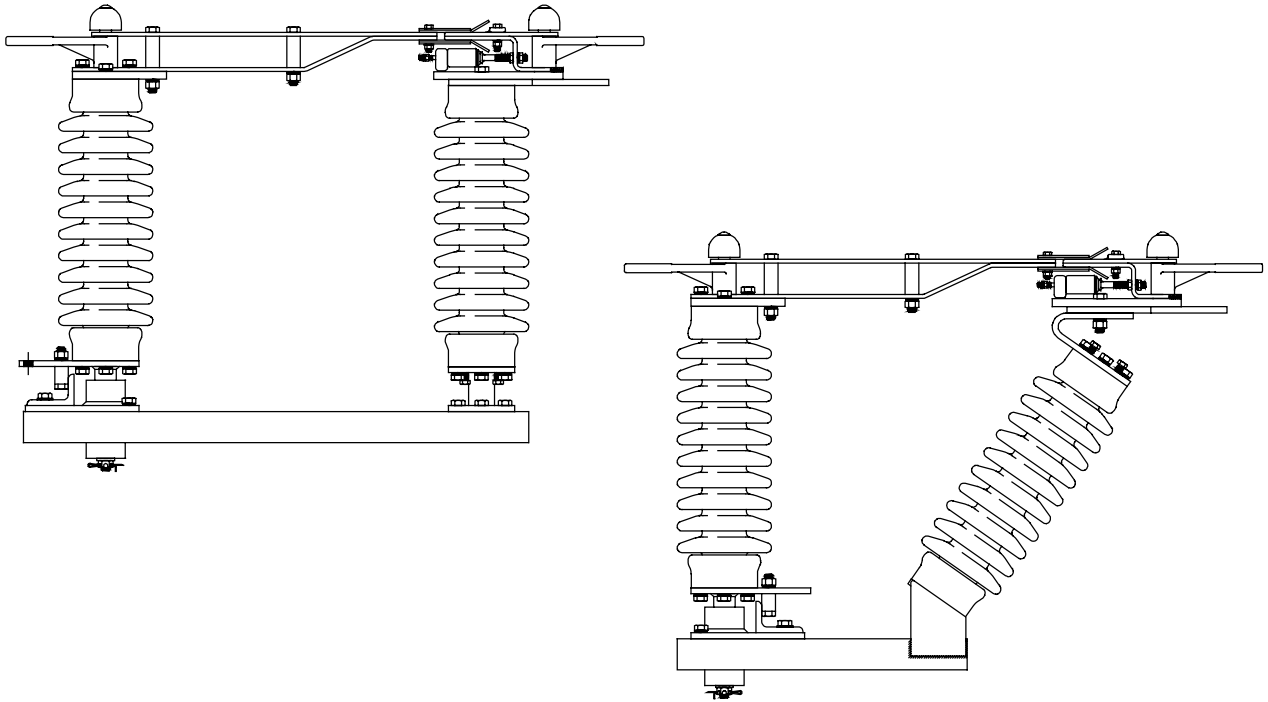


TYPE SB SIDE BREAK SWITCH

Bulletin No. 44-1005

3-PHASE, GROUP OPERATED (SUBSTATION AND DISTRIBUTION APPLICATIONS)



- HORIZONTAL UPRIGHT, VERTICAL, OR UNDERHUNG MOUNTING
- FULL LOAD BREAK CAPABILITY UP TO 34kV WITH THE ROYAL RVI38 VACUUM INTERRUPTER
- TILT OR PARALLEL INSULATOR STYLE
- 15kV THROUGH 46kV
- 1200 AMPERES
- MANUAL OR MOTOR OPERATED CONTROL MECHANISM

ROYAL SWITCHGEAR MANUFACTURING COMPANY

FEATURES OF TYPE SB SWITCH

POSITIVE CONTACT ASSEMBLY

Pivoting contact reduces operating force and enhances ice breaking capability. Toggle spring maintains open or closed contact positions. Individual contact shoes provide silver to silver contact surfaces. Each contact shoe is backed by a phosphor bronze spring to assure high pressure wiping contact.

Phos. Brz.
Backup Spring
and
Silvered
Copper Contact
Shoe

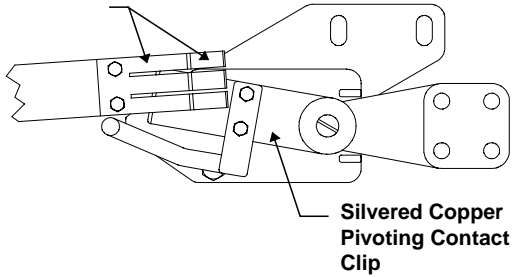


FIG. 1 - CONTACT ASSEMBLY

POSITIVE HINGE CONTACT

The hinge swivels on a stainless steel bearing rod. A high pressure stainless steel coil spring, outside the current path, applies pressure to the silver to silver current transfer points.

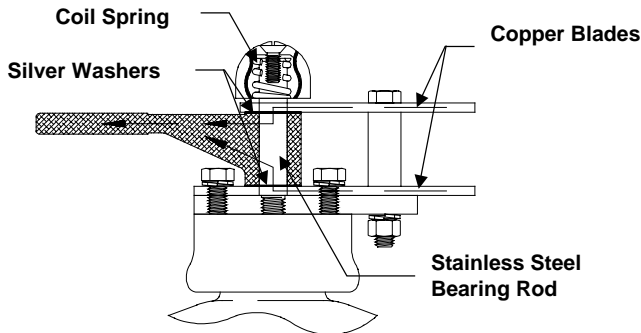
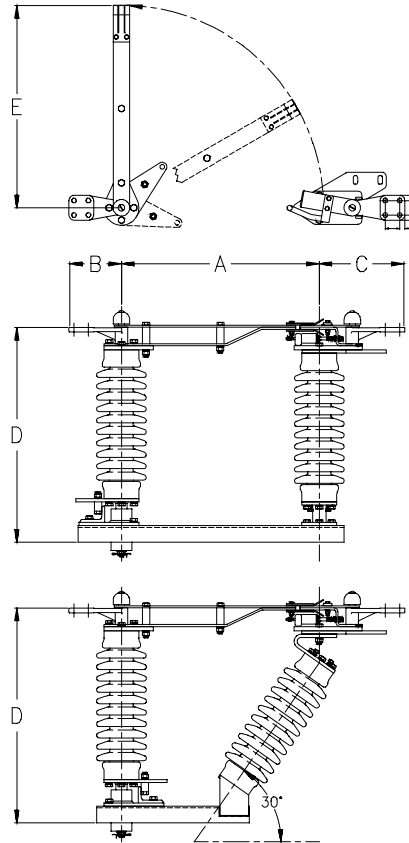


FIG. 2 - HINGE ASSEMBLY

MAINTENANCE-FREE BEARING DESIGN

Each insulator stack is supported by double ball bearings permanently lubricated and sealed for the life of the switch. The base assembly has open and close



position stops for a full 90° full throw of the switch.

Available pre-assembled with three switch poles mounted to a steel or fiberglass rectangular tube-type base. Interphase pipe links the switch poles. Outboard bearing or direct operating drive. Consult factory for more information.

kV Nominal (kV Maximum)	Amps Continuous (kAmps Momentary)	Insulator T.R. No.	B.I.L. Rating	Catalog Number	A	B	C	D	E	Approx Ship Weight (lbs.)
15 (15.5)	1200 (61)	205	110	SBF1512	16	6 3/8	10 3/8	16	15 1/2	915
23 (25.8)	1200 (61)	208	150	SBF2312	18	6 3/8	10 3/8	20	18 1/2	940
34.5 (38)	1200 (61)	210	200	SBF3412	24	6 3/8	10 3/8	24	24 1/2	980
46 (48.3)	1200 (61)	214	250	SBF4612	30	6 3/8	10 3/8	28	30 1/2	1125

ROYAL SWITCHGEAR MANUFACTURING COMPANY

1-800-426-4380