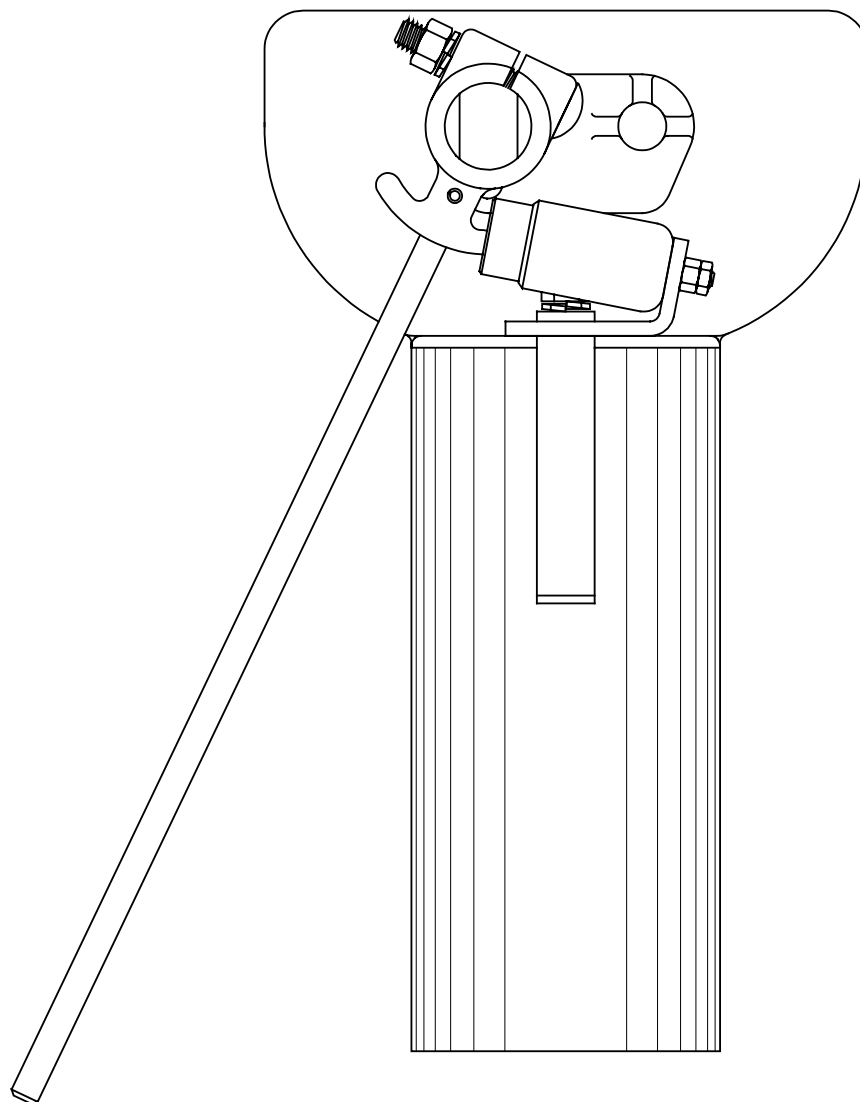


# TYPE RVI38 VACUUM INTERRUPTER

---

Bulletin No. 43-0494



---

**ROYAL SWITCHGEAR MANUFACTURING COMPANY**



## VACUUM INTERRUPTER TYPE RVI38

The **VACUUM INTERRUPTER** utilizes a vacuum switch, which is rated for interrupting load current to 2000 Amperes and capacitive (cable charging) current to 40 Amperes. Rated maximum line-to-line voltage of the vacuum switch is 38 kV rms.

The RVI interrupter provides reliable full load interruptions repeatedly for up to 20,000 interruptions.

Some of the features are:

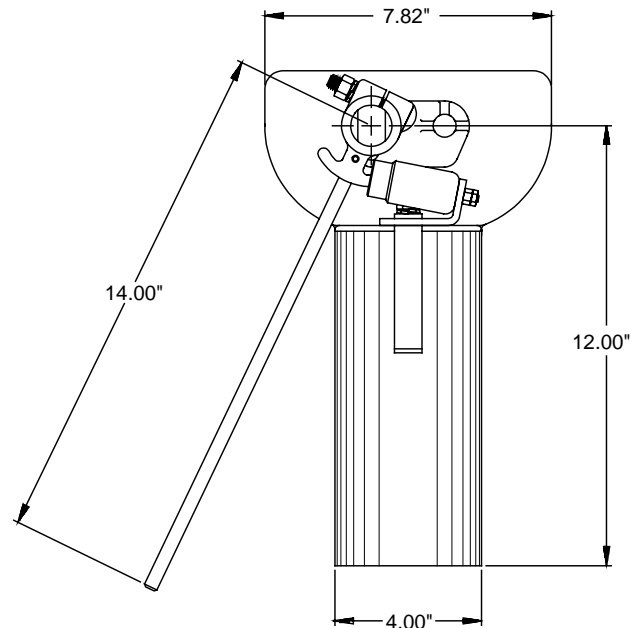
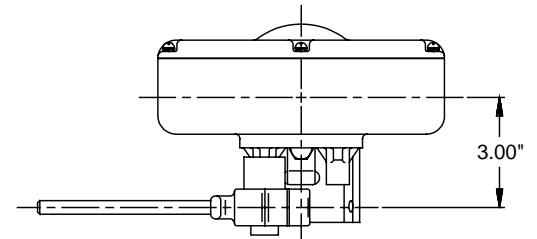
- Unit is **DIRECTLY INTERCHANGEABLE** in many applications.
- Vacuum switch **CARRIES CURRENT ONLY BRIEFLY** during opening of the switch pole.
- Current interruption occurs within the vacuum switch and **NO HOT GASSES ARE EXHAUSTED** to the atmosphere.
- **TOGGLE SPRING MECHANISM** holds contacts closed and under pressure.
- At trip point **CONTACTS OPEN INDEPENDENTLY** of external operating arm speed to insure reliable current interruption.
- Efficient **RECLOSING MECHANISM** resets vacuum switch after current interruption.
- **ADJUSTABLE OPERATING ARM** eases installation.
- **RIGHT HAND** or **LEFT HAND OPERATION** to match the switch pole.

# TYPE RVI38 VACUUM INTERRUPTER

The Royal type RVI38 vacuum interrupter is an economical way to convert any air break switch into a load break switch. The installation of the RVI38 on any new or existing switch will allow such applications as loop sectionalizing, line dropping, load interruptions, reactor switching,

capacitor switching, cable switching and transformer magnetizing switching. The design of the RVI38 allows mechanical, electrical and mounting interchangeably with certain similar vacuum circuit interrupters. Consult factory for details.

- Full load switching at system voltages up to 34.5kV.
- Loop splitting and parallel switching up to 161 kV provided maximum ratings are not exceeded.
- External arcing horns provide protection against voltages which exceed the ratings of the vacuum switch.
- Vacuum switch is enclosed in a fiberglass housing and encapsulated in a dielectric foam to protect and seal from the environment for years of maintenance-free service.
- Not a one shot device; the RVI38 can provide reliable full load interruptions time after time.
- High speed contact separation obtained by spring toggle for reliable interruption independent of the speed of operation of the air break switch.
- The RVI38 does not affect the electrical ratings of the disconnect switch. The current flows through the interrupter only briefly during the opening operation of the disconnect switch.



## **RATINGS**

<i>Max. Recovery Voltage</i>	30 kV
<i>Max. Interrupting Current</i>	2000 A
<i>Cable Charging Current</i>	40A
<i>Magnetizing Current</i>	20A